



# PRODUCT SPECIFICATION

## Led Pixel Dot

### SH-AD4202

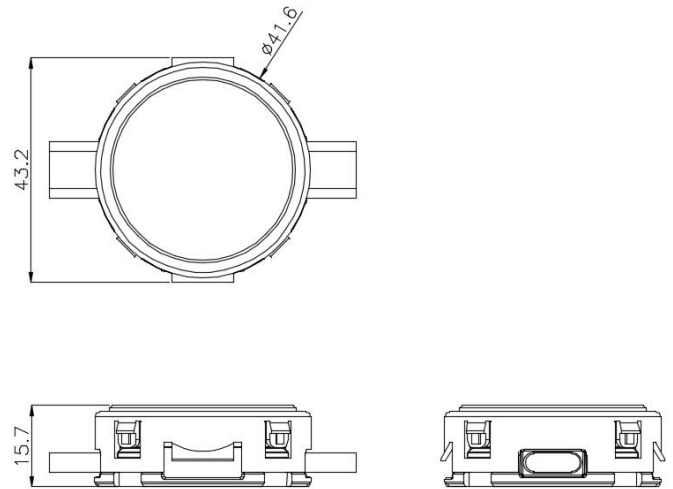




## Product Feature

- ◇ Independent intellectual property rights, private mode design, dedicated to engineering projects.
- ◇ It adopts special die-cast aluminum material with high mechanical strength and good heat dissipation performance.
- ◇ The high-brightness full-color lamp beads are used, and the illumination angle is large.
- ◇ It is made of PU glue and is not easy to crack, and the product protection level is high.
- ◇ The wire and outer casing are made of cold resistant, UV resistant and flame retardant materials, suitable for long-term outdoor use.

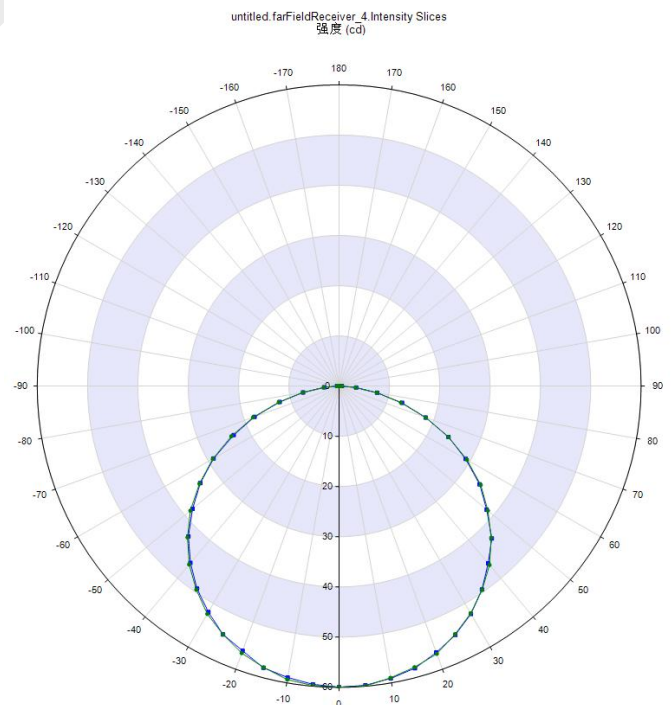
## Size Chart



## Specification

Model:	AD4202
Voltage:	DC24V
Power:	1.85W
LED Type & Qty:	SMD 3535 RGB 4pcs SMD 2835 W 2pcs
Chip Type:	UCS512C4
Control mode:	DMX
Shell Material:	Die-cast aluminum/PC
Gray Level:	8 Bit 256 grade
IP Grade:	IP68
Brightness:	≥12000MCD
wavelength:	R : 615-630nm G : 525-545nm B : 460-480nm W : 3000K
Chip Brand:	Epistar & Osram
Lifespan:	≥30000H
Beam Angle:	≥120°
Work Temp:	-20°C~+60°C
Store Temp:	-40°C~+75°C

## Light Distribution Curve





## Application

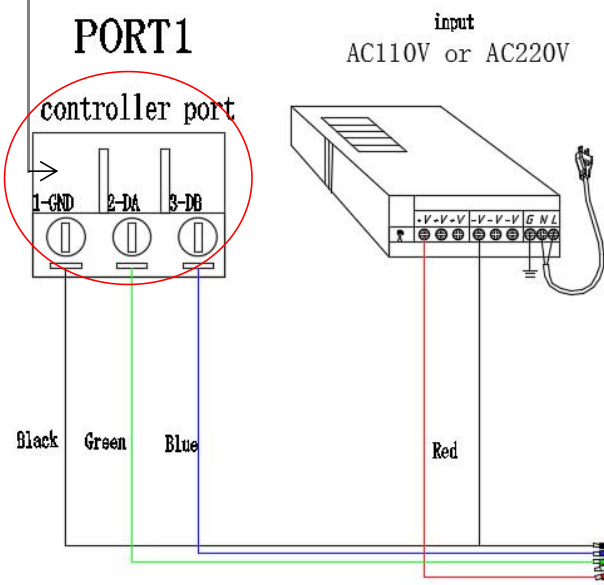
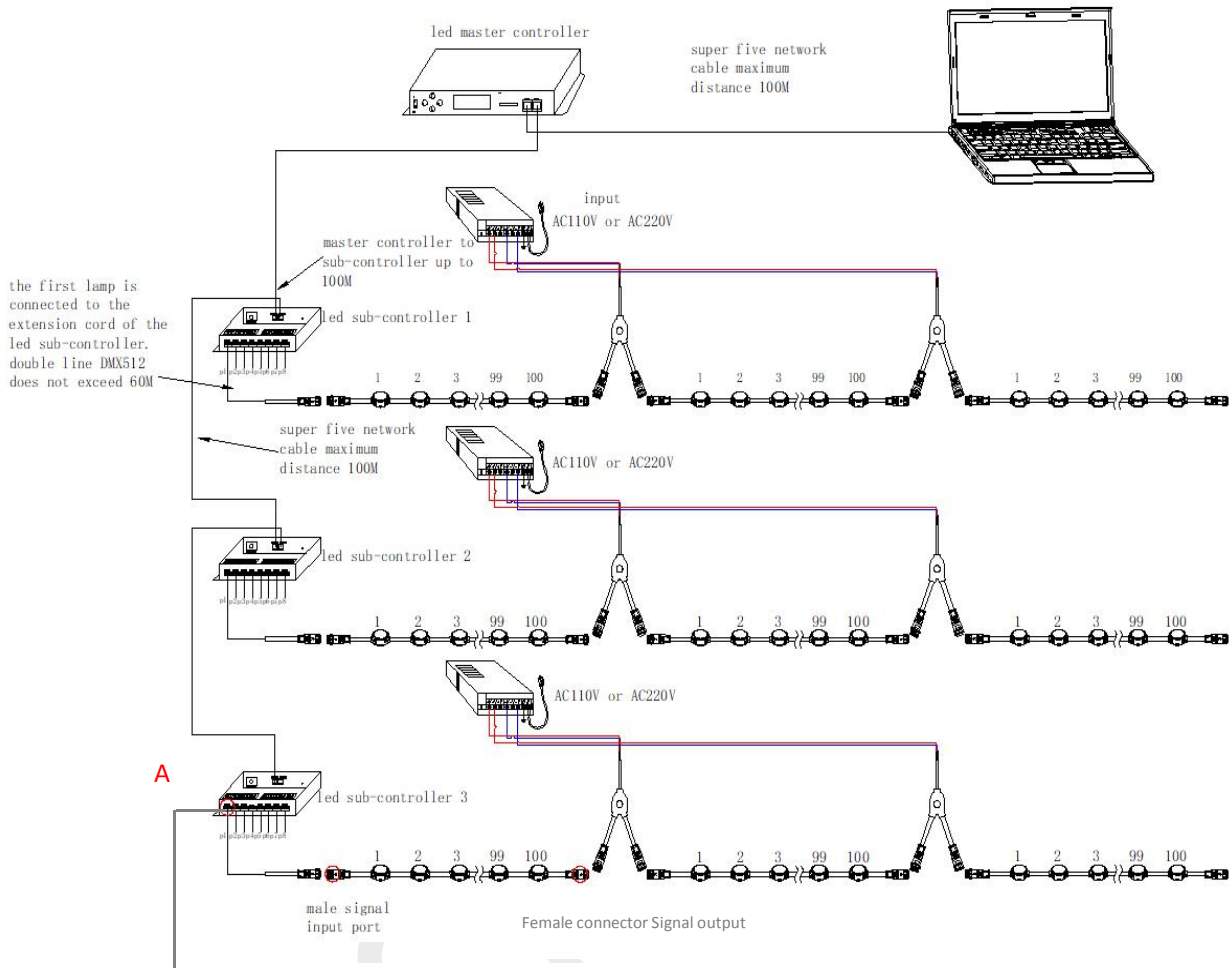
- ◆ Building lighting decoration
- ◆ Media facade lighting
- ◆ Large shopping mall exterior
- ◆ Entertainment or stage lighting, such as clubs and KTV
- ◆ Hotels led screen

## Reliability Test Item And Conditions

Test Item	Test Conditions	Test Duration	Judgement standard
Power Test	Input Voltage 24V, Ta=25°C±5°C	30min	Wattage 1.85W ± 10%
Temperature Test	Input Voltage:25V with white color	30min	≤60°C
Drop Test	Free fall at 1.2m height	10 Cycles	No damage to the appearance, normal function
Thermal Shock	-40°C(30min) ~ 100°C (30min)	200 Cycles	No damage to the appearance, normal function
Salt Spray Test	5% NaCl	72H	The material is non-corrosive and functional
Anti-UV Test	UV-A, 350-400nm, 60°C	72H	The material is free from aging and discoloration, functioning normally
Switching Cycle Test	ON 25 second / OFF 5 second, ON/OFF cycle	48H / 5000 cycle	Functioning normally
Voltage Test	DC 500V	Once	Functioning normally
ESD Test	3000V	Once	Functioning normally
High and Low Temperature Test	-30°C~65°C, RH 85%	72H	Functioning normally
Tensile Test	Input/output line, pull force 20KG or more	Once	The wire is not broken and functions normally
Vibration Test	Horizontal and vertical direction	4H	Functioning normally
IP Rating	IP68 0.5m underwater	48H	Functioning normally
Flame Retardant Rating	Refer to UL94-V0 standard	10 Cycle	Self-extinguishing from the fire, no burning matter falling

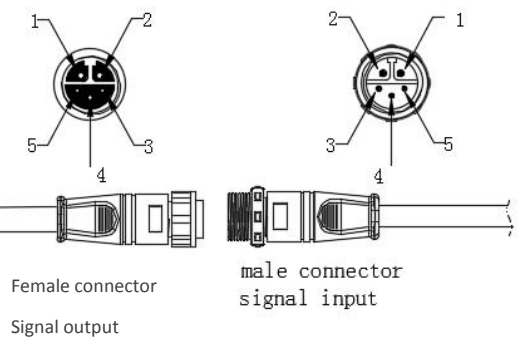


# Connection Diagram



Magnified view A

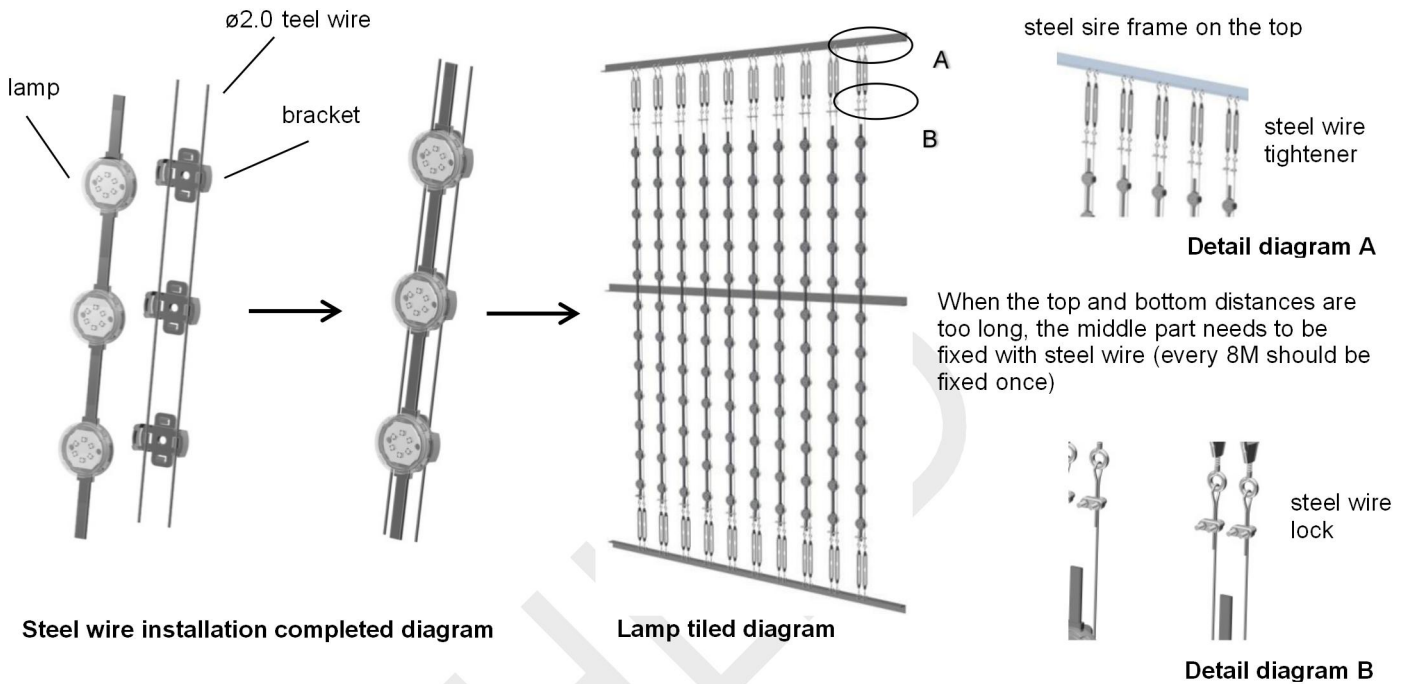
Description		
No.	Wire color	Function
1	Black	GND
2	Red	V+(24V)
3	Green	A
4	Blue	B
5	White	PI/PO Write code line



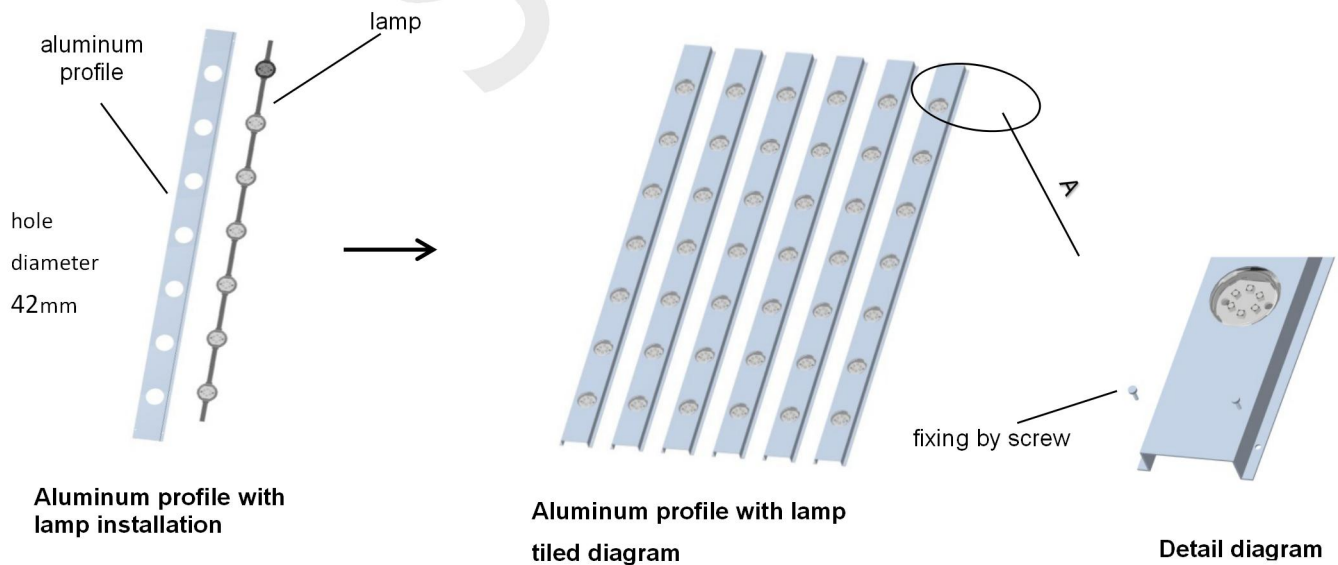


# Installation Diagram

## 01 Aluminum Profile

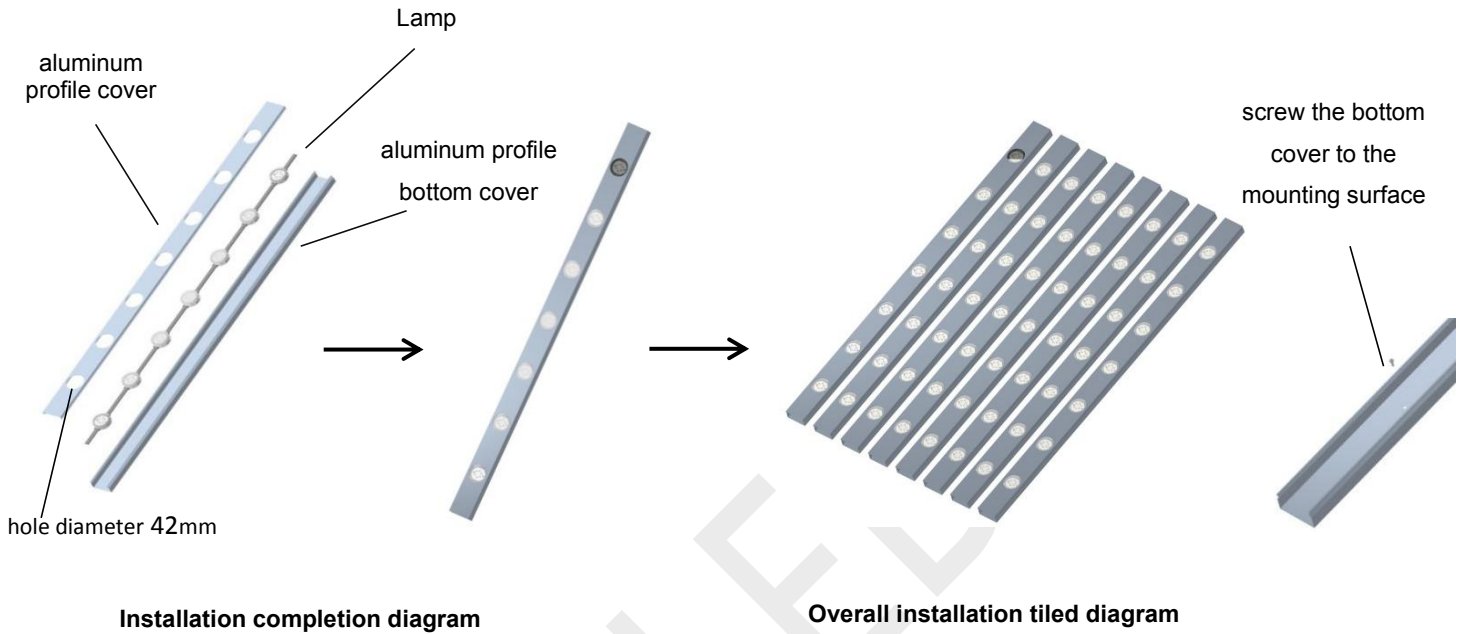


## 02 Screw Installation

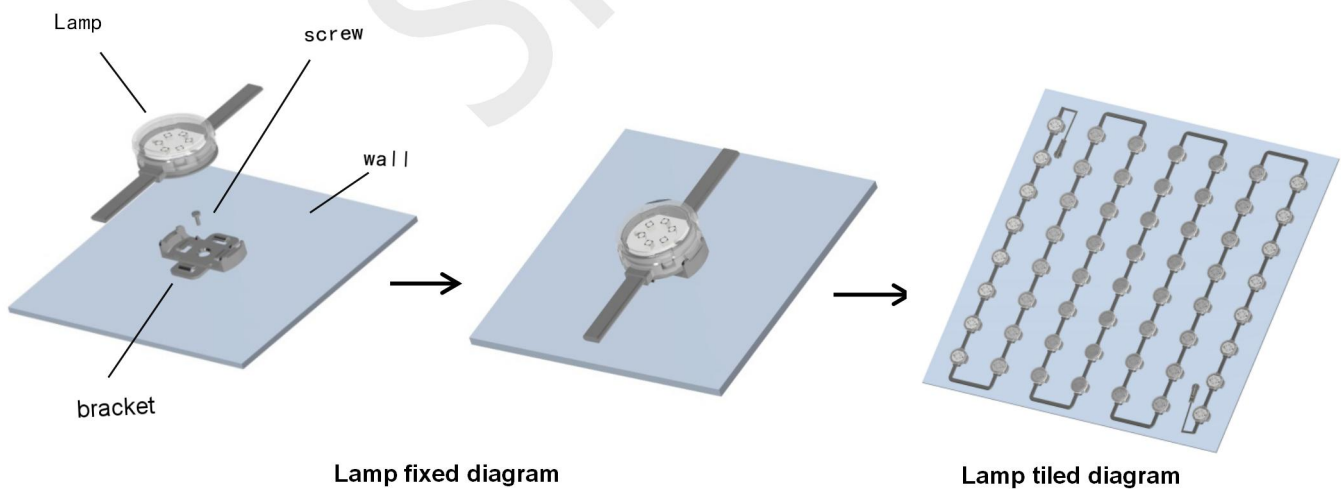




### 03 Aluminum Profile 2

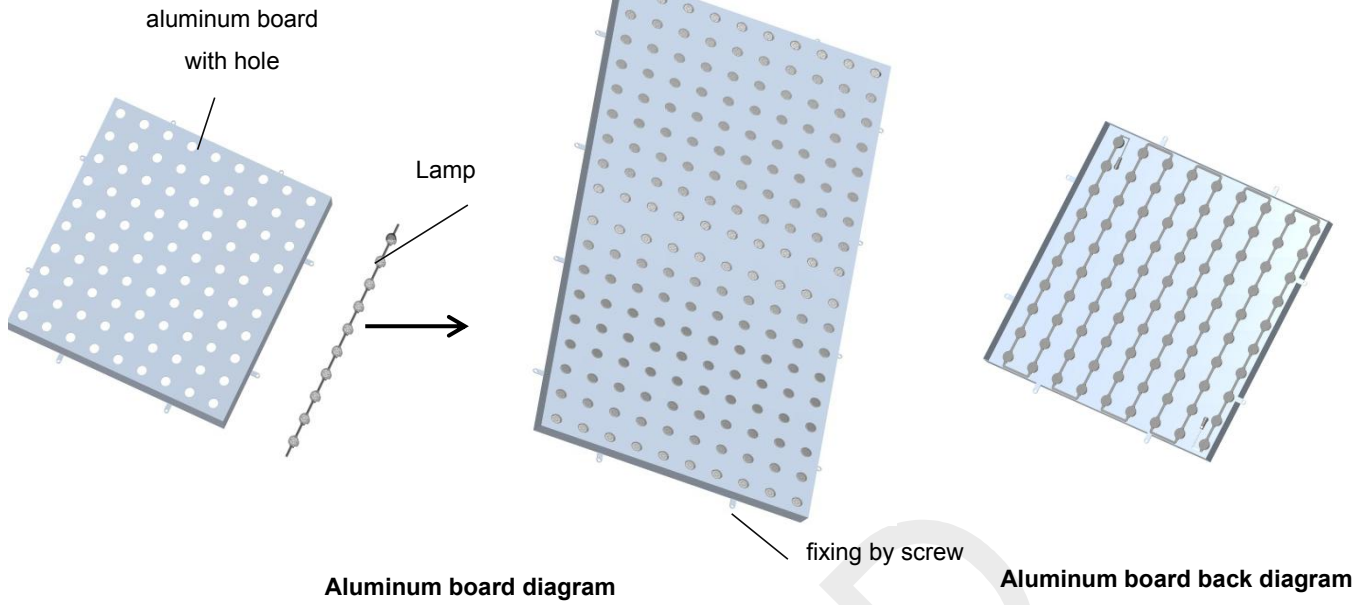


### 04 Bracket with Screw Fixed





### 05 Aluminum Panel



SHLED



## Notes

---

1. The output voltage of the power supply cannot be higher than the rated voltage, otherwise it will cause damage to the luminaire.
2. Do not carry live work.
3. All power cords and wire connections should be waterproofed after soldering.
4. Non-professionals, please do not replace the controller and power supply at will, avoid wiring errors and cause malfunctions.

SHLED



## Project Case

---

